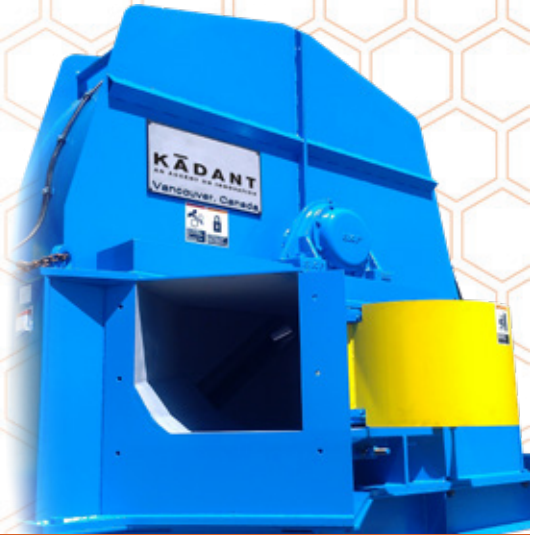


Whole Log Chipper

The Kadant Carmanah Whole Log Chipper produces high quality chips from roundwood. As with all Kadant Carmanah equipment, the Whole Log Chipper is heavy duty in its design to ensure longevity and trouble-free operation.



Cylinder-operated quadrant opening

Innovation

At Kadant Carmanah, we strive to improve the operation and reliability of our products. An example of this is the development of carbide inserts for our chipper anvils. This innovation adds a second cutting edge on the opposite face of the insert. Our customers benefit with reduced parts and maintenance costs and generally produce a superior quality chip as the result of the carbide maintaining its edge longer.

Design

The Whole Log Chipper is built to last from the ground up. The base is fabricated from heavy steel plate, stress relieved and machined in critical areas. The disc is manufactured from thick, firebox quality steel plate that is ultrasonically tested prior to machining. The oversized shaft and bearings ensure trouble free operation and longevity.

Reliability

At Kadant Carmanah, we manufacture products to provide years of trouble-free operation. It is not uncommon for our inside sales group to receive parts requests for chippers manufactured in the 1960's and 1970's - and of course, those Cylinder-operated quadrant opening parts are still available.

Features

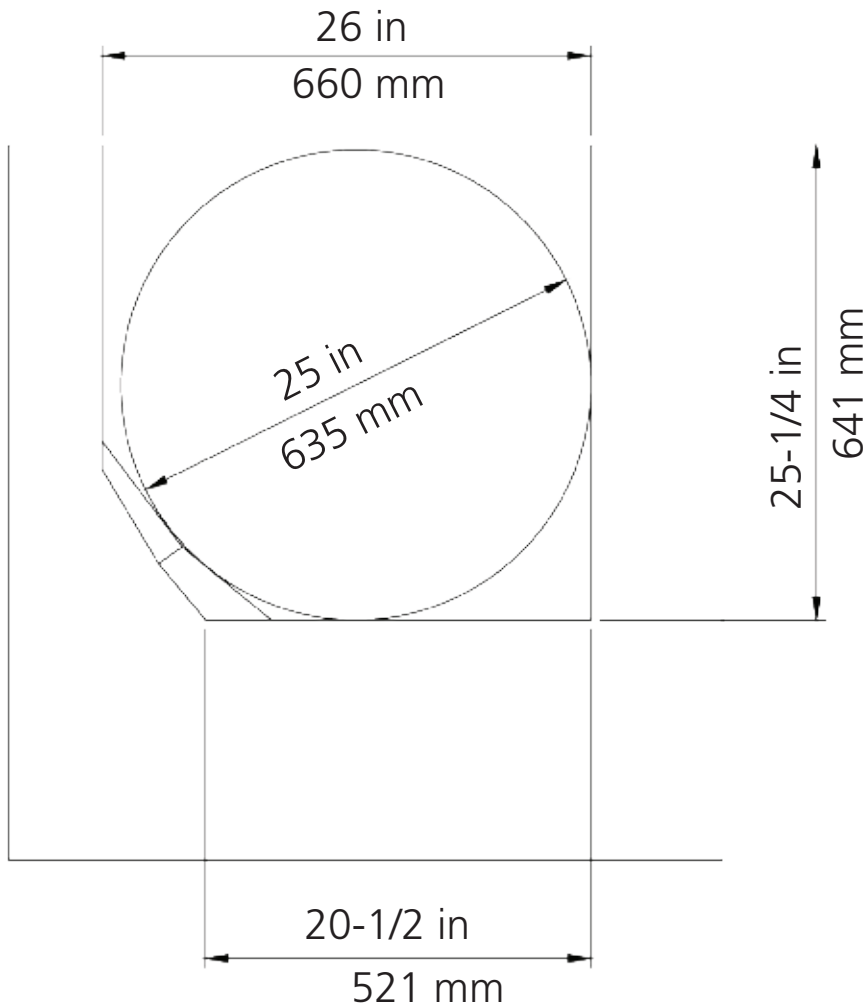
- One-man front face knife change
- Swing away side anvil door
- Heavy-duty, thick steel disc
- Air-powered housing access quadrant

Benefits

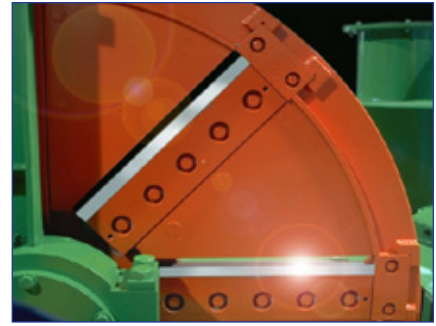
- Minimize maintenance requirements
- Built in protection from metal and/or rocks
- High inertia and rugged disc provides longevity
- Ample room for disc maintenance activities

Whole Log Chipper

Spout Dimensions



96" Chipper Spout



Heavy-duty, thick steel disc

Available Options

- Drive Components
- Disc Brake
- Zero Speed Indicator
- **Choice** of Disposable or Conventional Knife systems
- Energy Dissipater
- Back, Bottom, or Top discharge

	Disc Diameter	No. of Knives	Avg. Capacity (Solid Wood)	Disc Speed	Max. Round Diameter	Rotating Inertia*	Weight*
METRIC	2438 mm	4 to 8	70 to 140 m ³	380 RPM	635 mm	3,960 kg-m ²	17,200 kg
IMPERIAL	96 in		2,500 to 5,000 ft ³		25 in	94,000 lbs-ft ²	38,000 lbs

**Inertia and Weight are calculated for Back/Bottom Discharge only; consult Kadant Carmanah for Top Discharge information.*

Dimensions are for reference only and subject to change