

76" Disc Chipper

The Kadant Carmanah 76" Disc Chipper was designed to produce pulp quality chips from a wide range of sawmill waste, planer waste, and whole logs. The heavy duty construction of the chipper ensures long term reliability and trouble free operation.



Large, vertically extended J-spout

Innovation

At Kadant Carmanah, we constantly strive to improve the operation and reliability of our products. An example of this is the development of carbide inserts for our chipper anvils. This innovation adds a second cutting edge on the opposite face of the insert. Our customers benefit with reduced parts and maintenance costs and generally produce a superior quality chip as the result of the carbide maintaining its edge longer.

Design

The 76" Chipper is the heavyweight contender in wastewood chipping. Unique features such as our cast disc, swing-away anvil, and J-spout are a few of the reasons our chipper has enjoyed such popularity throughout North America. While developed for wastewood applications, the 76" Chipper also does an excellent job chipping whole logs.

Reliability

At Kadant Carmanah, we manufacture products to provide years of trouble-free operation. It is not uncommon for our inside sales group to receive parts requests for chippers manufactured in the 1960's and 1970's - and of course, those parts are still available.

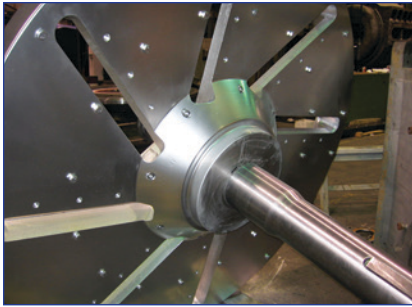
Features

- One-man front face knife change
- Swing-away side anvil door
- Large, vertically extended J-spout
- Heavy-duty, cast disc
- Air-powered housing access quadrant

Benefits

- Minimize maintenance requirements
- Built-in protection from metal and/or rocks
- Accepts large pieces, maximizing surge capabilities
- High inertia disc
- Ample room for disc maintenance

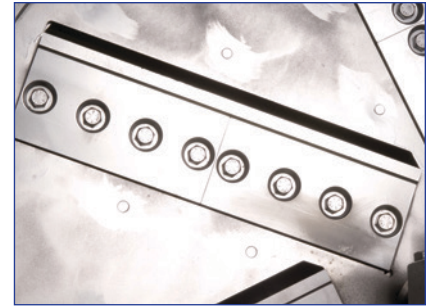
76" Disc Chipper



Heavy-duty cast disc

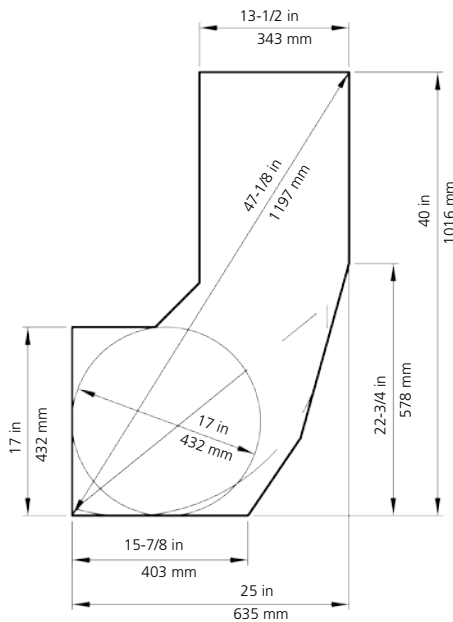


Shear pin protected anvil door

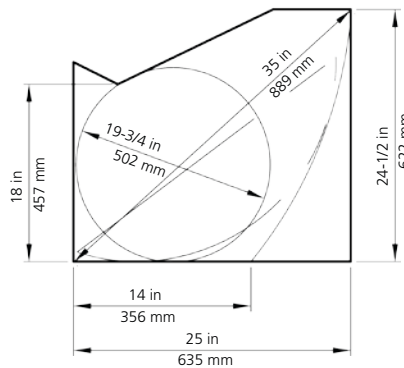


Two-piece conventional knife system

Spout Dimensions



J-Spout



Whole Log Spout

Available Options

- Drive Components
- Disc Brake
- Zero Speed Indicator
- **Choice** of Disposable or Conventional Knife systems
- Energy Dissipater
- Back, Bottom, or Top discharge

	No. of Knives	Capacity (Sold Wood)	Motor Requirement	Disc Speed	Rotating Inertia*	Weight*
METRIC	8	100 m ³	220 kW	435 RPM	1,300 kg-m ²	7,850 kg
IMPERIAL		3,530 ft ³	300 hp		31,000 lb-ft ²	17,300 lbs
METRIC	10	120 m ³	260 kW	435 RPM	1,300 kg-m ²	7,850 kg
IMPERIAL		4,240 ft ³	350 hp		31,000 lb-ft ²	17,300 lbs

*Inertia and Weight are calculated for Back/Bottom Discharge only; consult Kadant Carmanah for Top Discharge information.

Dimensions are for reference only and subject to change