

Suspended Chip Screen

The Kadant Carmanah Suspended Chip Screen provides a robust, trouble-free solution for chip sorting in sawmills, planermills, chip plants, and pulp wood rooms.



Over 60 Years of Chip Screen Innovation

Supplying screens since the late 1960's, Kadant Carmanah Design has developed considerable capability in the design and manufacture of chip screens. Through the years, we have continued to refine the product and today offer a state-of-the-art, efficient, and robust design.

Flexible Mounting Options

Our suspended screen can be mounted from the customer's existing steel supports, or as an option, a rigid steel base mounted frame can be provided to support the screen. High screening capacity is made possible through optimized drive and screen design.

Designed for Increased Efficiency

The drive design maximizes RPM and screen efficiency with minimum obstructions in the screening area. As well, the waterfall design of the fines screen maximizes chip tumbling action to improve overall fines removal.

Available in Multiple Sizes

There are four sizes available with capacities ranging from 25 to 60 units per hour. Careful attention has been given to the design for simplified maintenance, easy belt changing, and screen removal on every model size we offer.

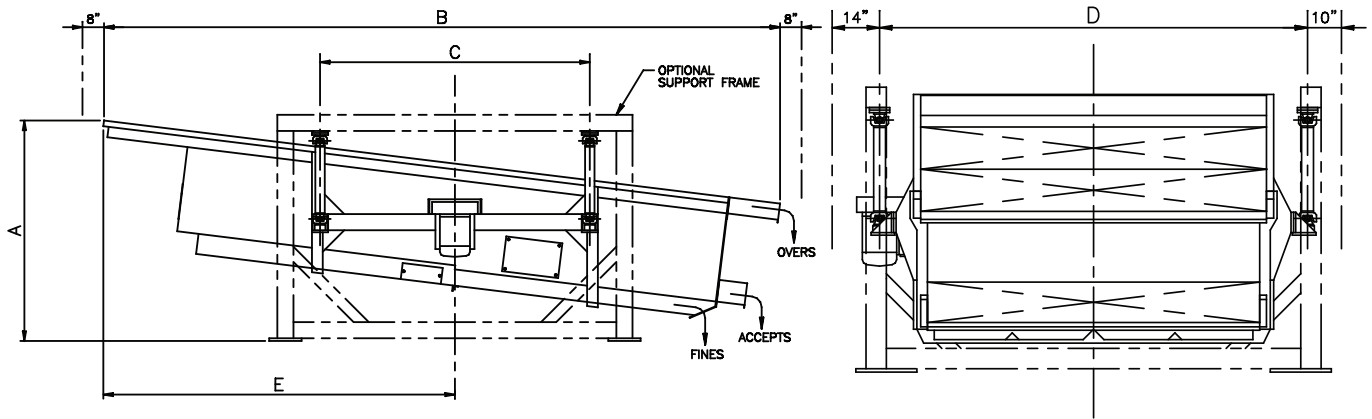
Features

- Lower deck features split level "waterfall"
- Strong, rigid steel fabrication
- Clean out holes in sides and back of frame

Benefits

- Increases tumbling action to improve fines removal
- Designed to last
- Maintenance friendly

Suspended Chip Screen



	Model No.	Dimension A	Dimension B	Dimension C	Dimension D	Dimension E
METRIC	555	1755 mm	4370 mm	1575 mm	2235 mm	2260 mm
IMPERIAL		5 ft 9 in	14 ft 4 in	5 ft 2 in	7 ft 4 in	7 ft 5 in
METRIC	655	1855 mm	5080 mm	1880 mm	2540 mm	2665 mm
IMPERIAL		6 ft 1 in	16 ft 8 in	6 ft 2 in	8 ft 4 in	8 ft 9 in
METRIC	755	1955 mm	5690 mm	2185 mm	2845 mm	2970 mm
IMPERIAL		6 ft 5 in	18 ft 8 in	7 ft 2 in	9 ft 4 in	9 ft 9 in
METRIC	855	2085 mm	6400 mm	2540 mm	3200 mm	3330 mm
IMPERIAL		6 ft 10 in	21 ft	8 ft 4 in	10 ft 6 in	10 ft 11 in

	Model No.	Screen Size	Capacity*	Drive	Shipping Weight	Shipping Volume
METRIC	555	1625mm to 3250mm	25 units/hr	4 kW	2,000 kg	9.5 m ³
IMPERIAL		5 ft 4in to 10ft 8in		5 hp	4,400 lbs	335 ft ³
METRIC	655	1930mm to 3860mm	35 units/hr	4 kW	2,360 kg	11.9 m ³
IMPERIAL		6 ft 4in to 12ft 8in		5 hp	5,200 lbs	420 ft ³
METRIC	755	2235mm to 4470mm	46 units/hr	5 kW	2,770 kg	15.3 m ³
IMPERIAL		7 ft 4in to 14ft 8in		7 hp	6,100 lbs	540 ft ³
METRIC	855	2590mm to 5180mm	60 units/hr	7 kW	3,220 lbs	18.7 m ³
IMPERIAL		8 ft 6in to 17ft 0in		10 hp	7,100 lbs	660 ft ³

*1 unit = 200ft³ of chips.

Dimensions are for reference only and subject to change